



BZ-2RW805551-A2



Actual product appearance may vary.

BZ Series Standard Basic Switch, Single Pole Double Throw Circuitry, 15 A at 250 Vac, Straight Lever Actuator, 0,7 N [2.5 oz] Maximum Operating Force, Silver Contacts, Screw Termination, CE, CSA, DEMKO, UL

Features

- Accepted world-wide standard "Large Basic" switch
- Low operating force and differential travel
- Long mechanical life up to 20,000,000 cycles at 95% survival
- Elongated mounting hole for easier, more accurate mounting
- Current rating ranges from 15 A to 25 A
- Choice of actuation, termination and operating characteristics

Potential Applications

- Irrigation systems
- Semi-trailer trucks
- Timing devices
- Office equipment
- Test instruments
- Medical/dental equipment
- HVAC equipment
- Manually operated devices
- Valves

Description

MICRO SWITCH™ BZ/BA Series standard basic switches are used for simple or precision on/off application needs.

| Product Specifications | |
|-----------------------------|-------------------------------------------------------------------------------------------|
| Switch Type | MICRO SWITCH™ Standard 25,4 mm H x 17,8 mm W x 50,8 mm L [1.0 in H x 0.7 in W x 2.0 in L] |
| Sealed | Yes, Environment |
| Ampere Rating | 15 A |
| Circuitry | Single Pole Double Throw (SPDT) |
| Actuator | Straight Lever |
| Termination | Screw |
| Operating Temperature Range | -55 °C to 85 °C [-67 °F to 185 °F] |
| Voltage | 250 Vac |
| Approvals | CE, CSA, UL |
| Actuator Length | 63,50 mm [2.50 in] |

| | |
|--------------------------------|-------------------------------------------------------|
| Contact Type | Silver |
| Operating Force (O.F.) | 0,7 N [2.5 oz] max. |
| Release Force (R.F.) | 0,14 N [0.5 oz] min. |
| Overtravel (O.T.) | 5,56 mm [0.219 in] min. |
| Differential Travel (D.T.) | 0,18 mm [0.709 in] - 1,27 mm [0.007 in - 0.050 in] |
| Operating Position (O.P.) | 19,1 mm \pm 0,76 mm [0.75 in \pm 0.03 in] |
| Free Position (F.P.) | 28,14 mm [1.108 in] max. |
| Material | Plastic |
| Housing Material | General Purpose Phenolic |
| High Temperature | 204 °C [400 °F] |
| CE mark | 61058-1 |
| UL File # | E12252 |
| CSA File # | LR41370 |
| Agency Approvals and Standards | 1054 |
| Mounting Screw Size | 3,53 mm [0.139 in] |
| Mounting Centers | 25,4 mm [1 in] |
| Maximum Tightening Torque | 0,33 N m [3.0 in lb] |
| Weight | 33,1 g [0.073 lb] |
| Package Height | 24,1 mm [0.95 in] |
| Package Width | 17,5 mm [0.69 in] |
| Package Length | 49,3 mm [1.94 in] |
| Recommended For | Dustproof and splash resistant seal |
| Availability | Global |
| UNSPSC Code | 30211905 |
| UNSPSC Commodity | 30211905 Snap switches |
| Series Name | BZ/BA/WA/YZ |

MICRO SWITCH

FREEMONT ILLINOIS, U.S.A
A DIVISION OF HONEYWELL

FED. MFG. CODE 91929

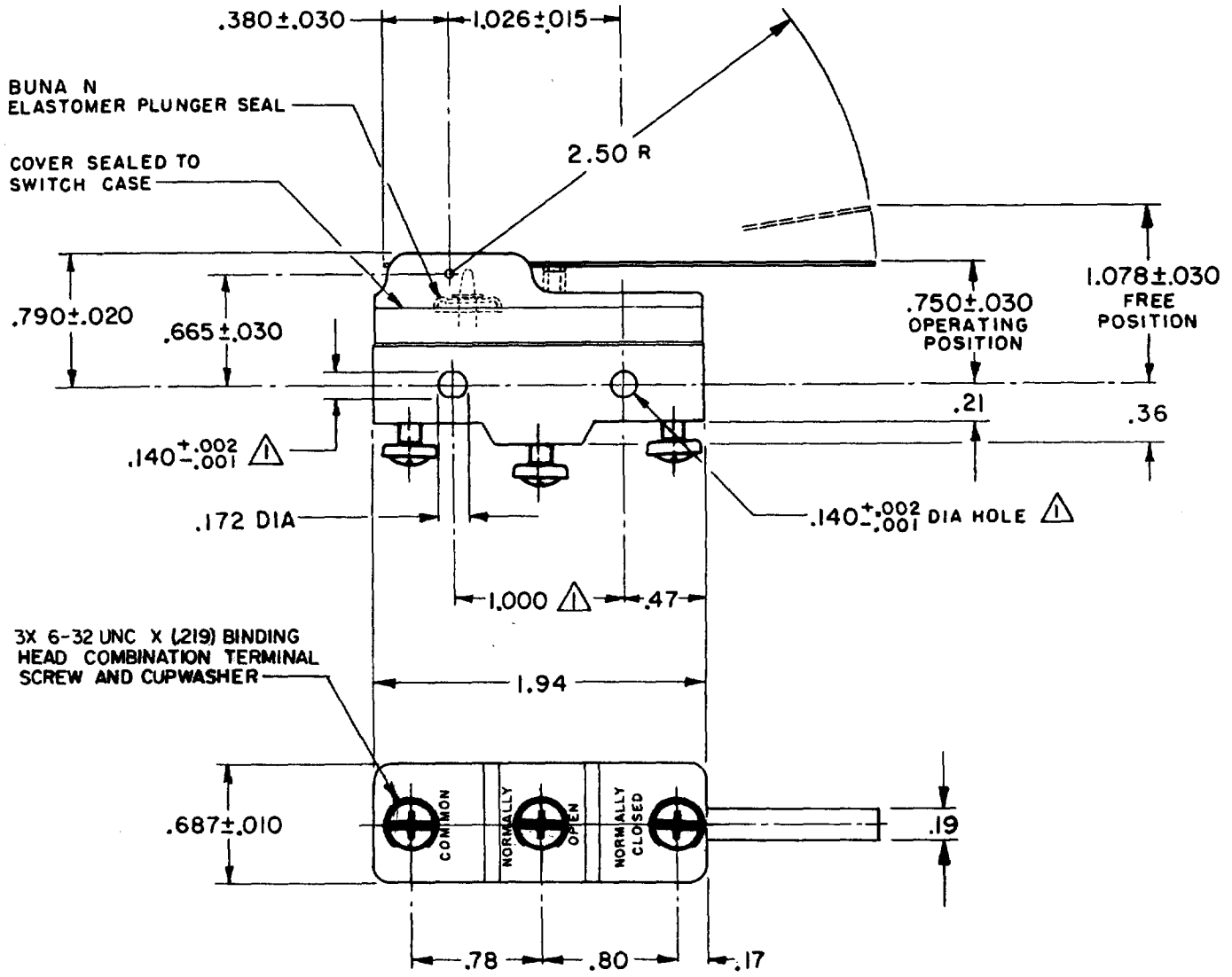
SWITCH-BASIC

CATALOG LISTING

BZ-2RW805551-A2

APY8300

M BZ-2RW805551-A2
 DRAWING NUMBER
 6
 ISSUE
 29 AUG 05
 RELEASE NO. PR-1033
 REPLACES
 29 AUG 05
 RJ
 CHECK
 70
 FEB 70
 AFB 70
 MAM
 29 MAR 94
 DLT
 17 SEP 98
 SPK
 29 AUG 05
 27 DEC 69
 GCH
 FORMTEK
 FO-50378-1A
 DRAWN



NOTES
 ▲ MOUNTING HOLES WILL ACCEPT PINS OR SCREWS OF .139 MAX DIA ON 1.000 ± .002 CENTERS
 2 - SEALED CONSTRUCTION PROVIDES SPLASH RESISTANCE

THIS DRAWING COVERS A PROPRIETARY ITEM AND IS THE PROPERTY OF MICRO SWITCH, A DIVISION OF HONEYWELL. THIS DRAWING IS NOT TO BE COPIED OR USED WITHOUT THE APPROVAL OF MICRO SWITCH.

| CHARACTERISTICS | ELECTRICAL DATA | SCALE FULL |
|-------------------------------------|------------------------------------------------------------------------------------------------|------------------------------------------------------------------------------------------|
| OPERATING FORCE----- 2 1/2 OZ MAX | CONTACT ARRANGEMENT S P D T | DO NOT SCALE PRINT |
| RELEASE FORCE----- 1/2 OZ MIN | L96 15A 125, 250 OR 480 VAC 1/8 HP 125 VAC, 1/4 HP 250 VAC 1/2A 125 VDC, 1/4A 250 VDC | UNLESS OTHERWISE NOTED DIMENSIONS ARE IN INCHES TOLERANCES ARE: |
| DIFFERENTIAL TRAVEL----- .007 -.050 | -L288- -L306- -L315- CE EN05 EC RJ | ONE PLACE (.0) ± .030 TWO PLACE (.00) ± .015 THREE PLACE (.000) ± .005 ANGLES ± |
| OVERTRAVEL----- .219 MIN | 16A 250V ~ T85 5E4 | WEIGHT .073 LB |